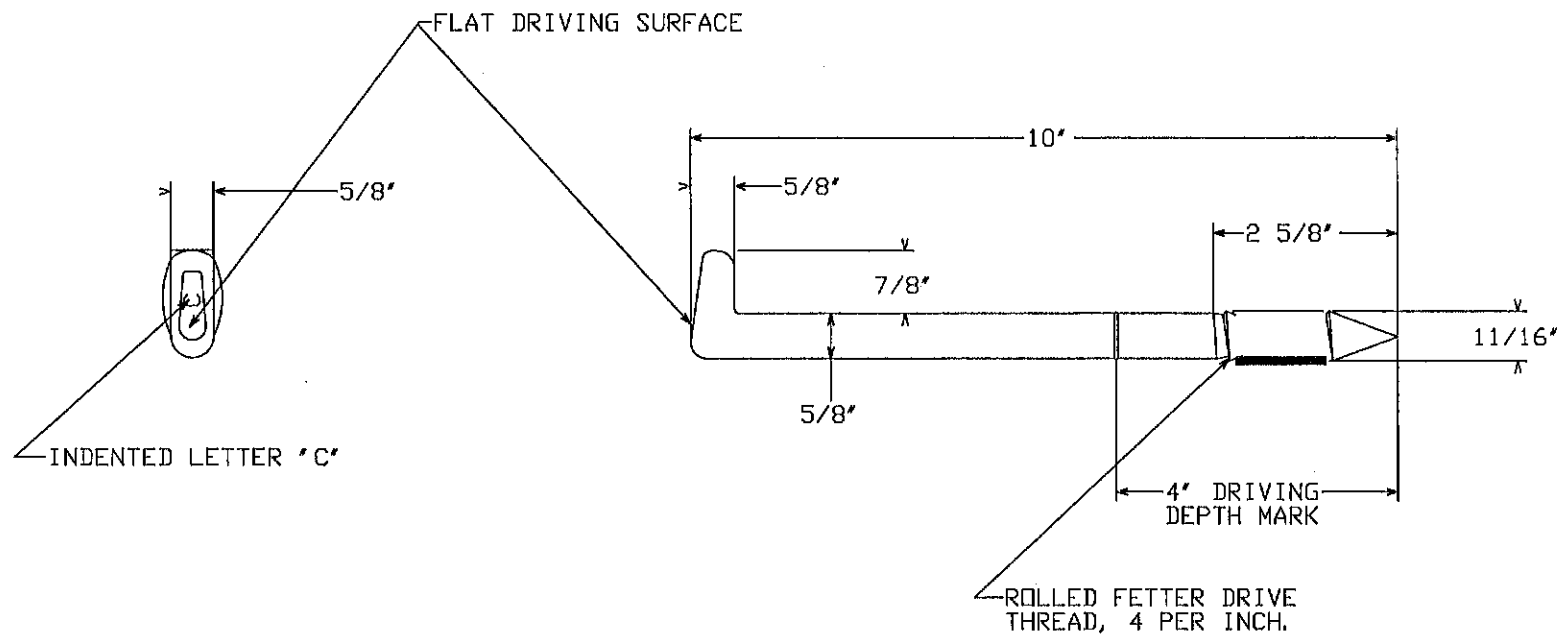



-NOTES-

1. MATERIAL: STEEL.
2. HOT DIP GALVANIZE PER ASTM SPEC. A153 (LATEST REV.)
3. POINT MAY HAVE UP TO .18 DIA. FLAT.
4. POLE STEP PER NEMA TD-15.



CATALOG NUMBER
506125

CHANCE TOLERANCE CHART		 HUBBELL POWER SYSTEMS <small>HUBBELL POWER SYSTEMS, INC.</small>	
<small>CONFIDENTIAL: THIS DRAWING AND ITS CONTENTS ARE CONFIDENTIAL AND THE EXCLUSIVE PROPERTY OF HUBBELL POWER SYSTEMS. NO PUBLICATION, DISTRIBUTION OR COPIES MAY BE MADE WITHOUT THE WRITTEN CONSENT OF HUBBELL POWER SYSTEMS. HUBBELL POWER SYSTEMS UNPUBLISHED. ALL RIGHTS RESERVED UNDER THE COPYRIGHT LAWS.</small>		TITLE SPIKE HEAD POLE STEP	
SIZE	DWG NO.	CAT / PART / ASSY NO.	REV
SB	SA506125	506125	A
DO NOT SCALE THIS DRAWING	DRN BY HOWARD	DATE 08/12/93	SHEET 01 OF 01